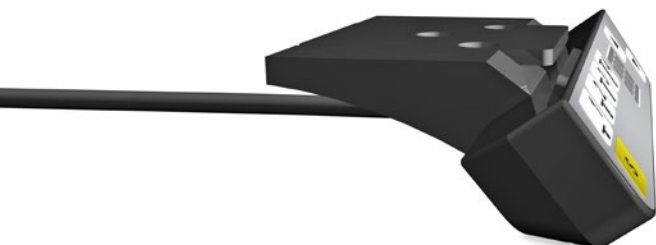


Swedstyle Memory

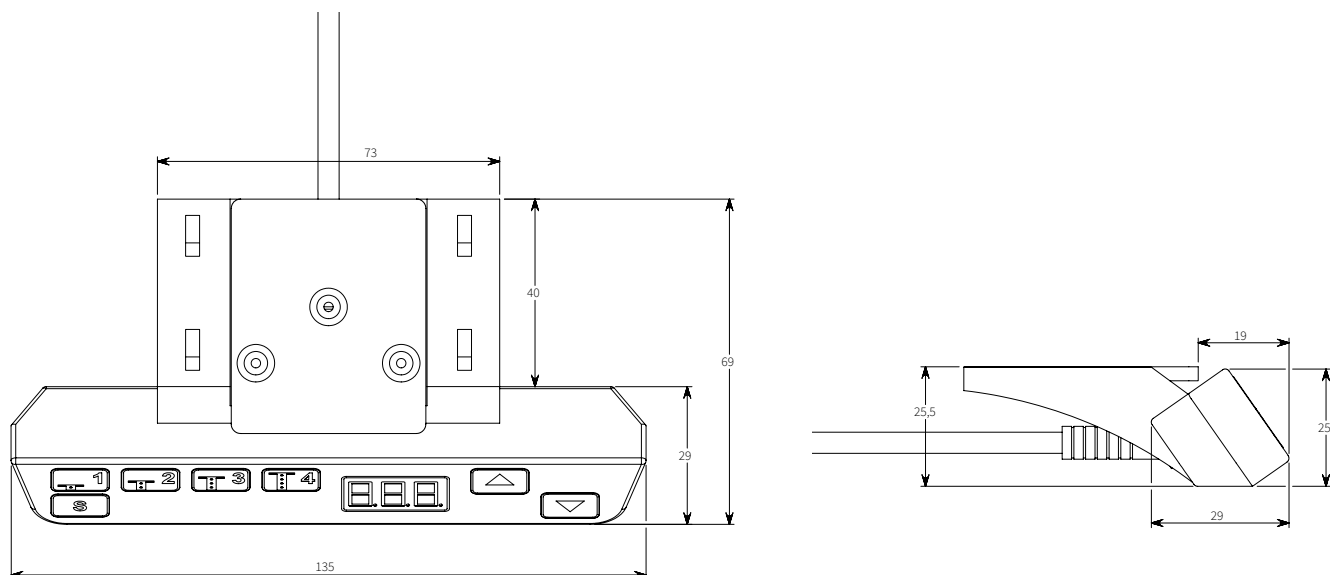
Programable hand controller for controlling height-adjustable desk frames, with memory function for up to four positions.

Hand controller for flexible control of height-adjustable desk frames allowing the user to save different positions on the memory buttons. The user can then recreate their optimum work positions by simply pressing a button. Display for easy reading of the settings; soft buttons make for pleasant handling. Easily fitted to the bottom of the desktop.

- Save up to four positions
- Soft Touch
- 3-digit display
- Under-desk mounting



PRODUCT	ART. NO	COLOUR
Swedstyle Memory	HAND05	Silver



Technical specifications

Supply voltage	5 V DC \pm 10%
Current Consumption (average)	75 mA
Service life	10 000 cycles
Cable length	2 000 mm (\pm 50 mm)
Dimensions (L x W x H)	135 \times 69 \times 25,5 mm
Weight (including cable)	300 g
Ambient conditions during operation	+5 °C to +40 °C at max. 68% relative air humidity (non-condensing), up to an altitude of 2,000 m.
Ambient conditions during transport and storage	-25 °C to +40 °C at max. 68% relative air humidity (non-condensing). +40 °C to +60 °C at max. 32% relative air humidity (non-condensing). Temperatures of more than +40 °C for periods not exceeding 10h. Product must be acclimatised to acceptable operating conditions before assembly.
Compatibility	All Swedstyle electric height-adjustable frames
Degree of protection (IEC 60529)	IP 20
Standards and regulations	EMC directive 2014/30/EU RoHS directive 2011/65/EU